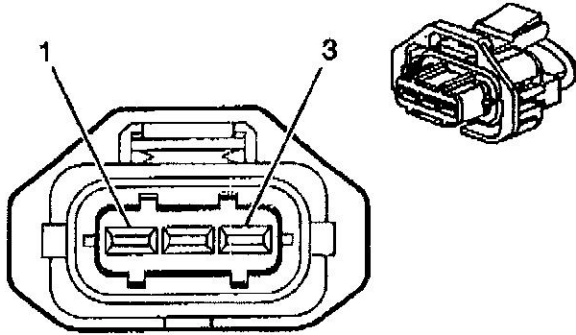


**Manifold Absolute Pressure (MAP) Sensor (LSA)**



**Connector Part Information**

- Harness Type: Even Fuel Injectors/Coils
- OEM Connector: 1928403966
- Service Connector: 88988583
- Description: 3-Way F Kompakt 280 Series, Sealed (BK)

**Terminal Part Information**

- Terminated Lead: Pending
- Release Tool: J-38125-561
- Diagnostic Test Probe: J-35616-35 (VT)
- Terminal/Tray: 1928498056/8
- Core/Insulation Crimp: E/1

**Manifold Absolute Pressure (MAP) Sensor (LSA)**

Pin	Wire	Circuit	Function
1	0.8 GY	2704	5-Volt Reference 2
2	0.8 OG/BK	469	Low Reference
3	0.8 L-GN	432	MAP Sensor Signal